



TRI GLIDE™ EFX

INSTALLATION
INSTRUCTIONS

Fits 2011-13 HD TRI-GLIDE™ MODELS ONLY

LCK5096



PUB0044

PUB 751-0029
Original—10/23/2013

IMPORTANT INFORMATION

WARNING!

Tri Glide™ EFX are designed for use with standard Tri Glide™ foot pegs and controls only. Removal of the stock foot pegs or installation of accessory footboards and/or controls may result in situations in which use of the controls is impeded creating a potential hazard that may result in severe injury or death to the operator. Therefore, the combination of Tri Glide™ EFX and the removal of stock foot pegs or the installation of accessory footboards and/or controls is **NOT** recommended.

CAUTION:

Wheel removal/installation

With the new EFX added to your Tri-Glide™, the fender opening has been reduced. Use caution when removing wheels as damage to paint or fiberglass can occur. Tire can be deflated if necessary for ease of removal.

NOTE:

Please read through entire procedure before proceeding with installation.

CAUTION!

If a bake cycle is used during the paint process of EFX components, it is critical that booth temperature **DOES NOT EXCEED 160°**.

Bake temperatures above 160° may impact product durability.

© 2010. All rights reserved.

Lehman Trikes® provides this publication as is without warranty of any kind, either expressed or implied. While every precaution has been taken in the preparation of this manual, Lehman Trikes® assumes no responsibility for errors or omissions. Neither is any liability assumed for damages resulting from the use of the information contained herein. Lehman Trikes® reserves the right to revise and improve its products as it sees fit. This publication describes the state of this product at the time of its publication, and may not reflect the product in the future. Lehman Trikes® is a registered trademark. All other brands and product names are trademarks or registered trademarks of their respective holders. *Printed in the United States of America.*

PARTS LIST

PART #	DESCRIPTION	QTY.
CA3100	WEATHER STRIP ADHESIVE	1
LCK5095-B	BOLT BAG TRIGLIDE EFX	1
CB1086	SCR BN SK .25-20 X 1.00 SS	4
CB1090	SCR HX .25-20 X 1.25 ZN	2
CB1091	SCR HX .25-20 X 2.25 ZN	4
CB1096	SCR BN SK .25-20 X 1.50 SS	2
CB1176	SCR BN SK .31-18 X 1.75 SS	2
CB1192	SCR BN SK .31-18 X 2.50 SS	2
CN3040	NUT NL .25-20 ZN	6
CN3044	NUT HX .31-18 ZN	4
CN3045	NUT NL .31-18 ZN	4
CS4105	SCR BN SK .25-20x1.5 CHROME	6
CW2003	WSHR FL .25x.63 OD CHROME	12
CW2006	WSH FL .25 SS	8
CW2040	WSH LK .25 ZN	6
CW2095	WSH, RUBBER, .35 X .813 X .092	2
CW2099	WSH, RUBBER, .38 X .63 X .09	12
CW2107	WSH FENDER 6.4MM x 24MM	4
CW2112	WSH FENDER 5/16 X 3/4 OD SS	8
PUB0044	TRIGLIDE EFX INSTALLATION INSTRUCTIONS	1
S001249	SPACER .56 OD X .26 ID X 1.13 LONG	4
S001253	CLAMP, 1.25 ID 3/4 STRAP COATED	2
S001550	FOOT PAD HAWG EFX	2
S001551	BRACKET FRONT SUPPORT HAWG EFX	1
S001553	LEVELING MOUNT 5/16-18 X 1.5	4
S001554	HAWG EFX SUPPORT PLATE REAR	1
S001555	HAWG EFX SUPPORT PLATE FRONT	1
S001631	TRIGLIDE EFX SUPPORT REAR	1
S001634	DOUBLE-SIDED FOAM TAPE 7/8"	56
S001635	ADHESION PROMOTER	2
S001638	URETHANE SPACER	2

PARTS LIST

PART #	DESCRIPTION	QTY.
LCK5084-LF	HAWG EFX LEFT FRONT (TRI-GLIDE™)	1
LCK5084-RF	HAWG EFX RIGHT FRONT (TRI-GLIDE™)	1
LCK5096-LR	HAWG EFX LH REAR PIECE (TRIGLIDE™) 2011-13	1
LCK5096-RR	HAWG EFX RH REAR PIECE (TRIGLIDE™) 2011-13	1

TOOL LIST

TOOLS/SUPPLIES REQUIRED	
QTY.	DESCRIPTION
1	3/8" Ratchet
1	7/16" Deep Socket
1	1/2" Deep Socket
1	5/32" Allen Wrench
1	3/16" Allen Wrench
1	1/2" Wrench
1	3/4" Deep Socket
1	1/8" Drill Bit
1	1/4" Drill Bit
1	Cordless Drill
1	Torque Wrench
1	Masking Tape
1	Permatex Ultra Black Silicone (or equivalent)

SAFETY INFORMATION

UNDERSTANDING SAFETY LABELS & INSTRUCTIONS

READ AND BECOME FAMILIAR WITH ALL WARNING, CAUTION SYMBOLS AND STATEMENTS LISTED BELOW AND IN THE TEXT OF THIS MANUAL BEFORE YOU BEGIN WORK.

DANGER, WARNINGS & CAUTION SYMBOLS



This is the safety alert symbol. When you see this symbol on your machine or in this manual, be alert to the potential for personal injury. Your safety is involved!



WARNING

SAFETY ALERT WARNING indicates a potential hazard that may result in severe injury or death to the operator, bystander or person (s) inspecting or servicing the vehicle.



CAUTION

Indicates a potential hazard that may result in minor personal injury or damage to the vehicle.

CAUTION

CAUTION indicates special precautions that must be taken to avoid vehicle damage or property damage.

NOTE:

NOTE provides key information by clarifying instructions.

IMPORTANT:

IMPORTANT provides key reminders during disassembly, assembly and inspection of components.

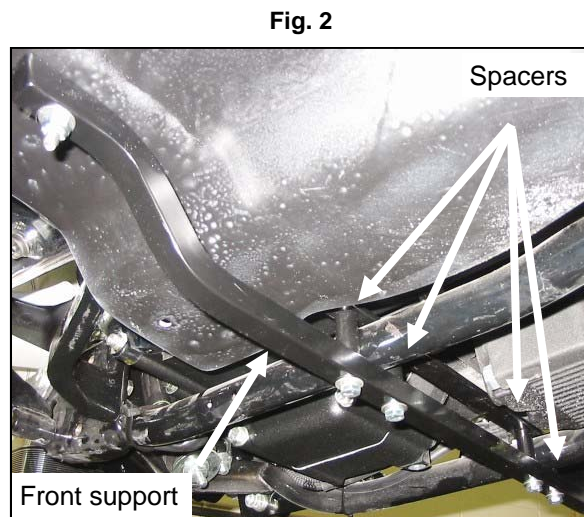
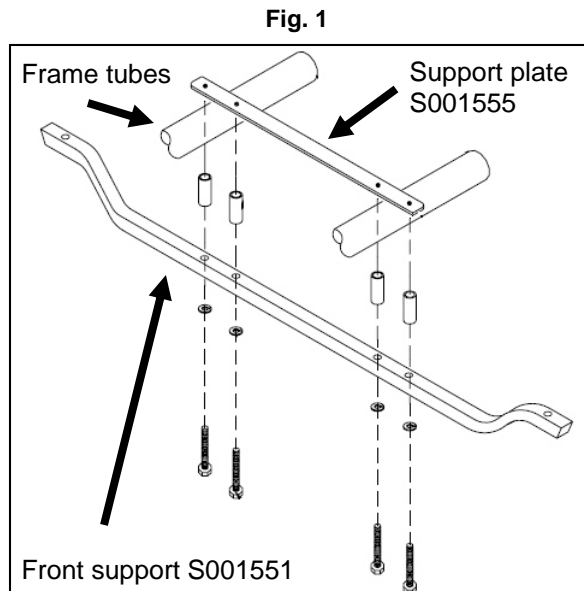
INSTALLATION

VEHICLE PREPARATION

1. Remove rear wheels (refer to Tri Glide™ Service Manual for proper procedures).

FRONT SUPPORT INSTALLATION

1. **See Fig.'s 1 & 2.** Position support plate above bottom frame tubes between engine and transmission.
 - (1) Support Plate– S001555
2. **See Fig.'s 1 & 2.** Attach front support bracket to threaded support plate using the following hardware. Do not tighten hardware.
 - (1) Front Support Bracket– S001551
 - (4) 1/4" x 2-1/4" Hex Bolts– CB1091
 - (4) 1/4" Lock Washers– CW2040
 - (4) Spacers– S001249



INSTALLATION CONTINUED

PART PREPARATION

1. **See Fig. 3.** Clean inner fender and inner body panel where rear boards will attach. Use brush and soapy water to remove dirt and road grime. Surfaces must be wiped with solvent (alcohol or acetone) to remove any residue for proper adhesion.
2. Lower park brake handle on RH side.
3. Pre-fit rear boards to body and fender from underneath. **Use care while handling painted components** . Make sure board fits against body and fender evenly.
4. Temporarily install rear board to support bar with $\frac{1}{4}$ " x $1\frac{1}{2}$ " bolts. Hold board to fender with masking tape if necessary.
5. Place masking tape on painted surfaces where holes will be drilled in fenders and body.
6. Locate (3) reference marks on backside of rear boards. Drill $\frac{1}{8}$ " pilot holes from backside through boards, fenders and body.
CAUTION: Failure to drill pilot holes increases chance of damaging paint.
7. From front side, drill $\frac{1}{4}$ " holes through pilot holes. **Use caution while drilling painted surfaces.** Remove masking tape.
8. Remove rear boards from support bar.
9. **See Fig. 3 and 4.** Wipe mounting surface on boards, **inner** fender surface and **inner** body panel surface with adhesion promoter (S001635). Let surface dry for at least one minute.
10. **See Fig. 5.** Install double sided tape along top edge to both boards as shown and trim as needed. Leave protective film on tape until boards have been pre-fit.
11. Run a $\frac{1}{4}$ " drill bit through tape where it has covered the pre-drilled holes.

Fig. 3

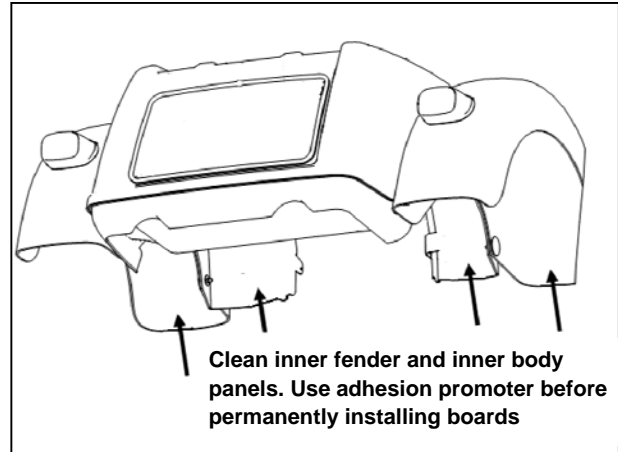


Fig. 4

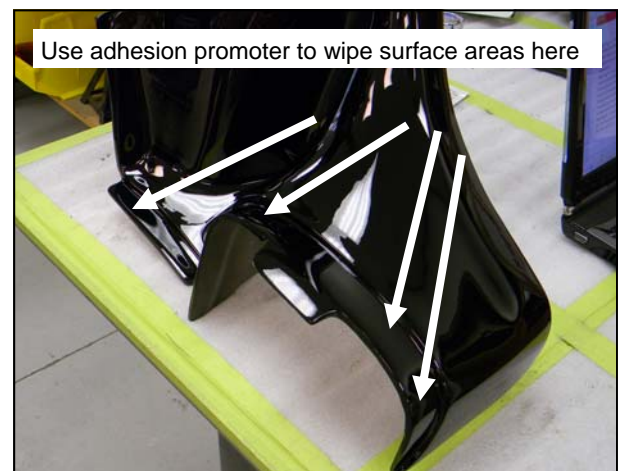
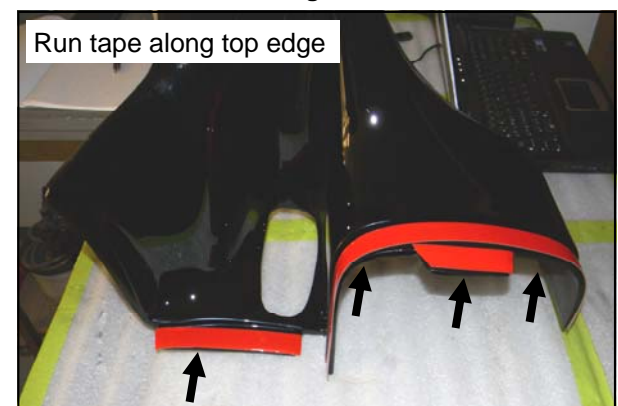


Fig. 5



INSTALLATION CONTINUED

REAR SECTION INSTALLATION

1. With park brake handle down, insert handle through opening on RH board. **Use care while handling painted components.**
2. Lower board down and remove red protective film from tape. Install board by pushing up and pulling towards front of fender while maintaining a consistent gap. Apply pressure using a wedge between tire and board until board holds in place.
3. Install LH rear board using same procedure.
4. Install rear boards to front main support using the following hardware. Leave hardware loose.
 - (2) 1/4" x 1-1/2" Bolts– CB1096
 - (4) 1/4" Flat Washers– CW2006
 - (2) 1/4" Lock Nuts– CN3040
5. **See Fig. 6.** Secure rear boards to the fender with the following hardware.
 - (6) 1/4" x 1-1/2"- CS4105
 - (12) Flat Washers– Chrome– CW2003
 - (12) Rubber Washers– CW2099
 - (6) 1/4" Lock Nuts– CN3040

CAUTION: Rubber washers must be installed on the inside of each flat washer to prevent paint or material damage.

Tighten hardware evenly and torque to 6-8 ft. lbs.

Fig. 6



INSTALLATION CONTINUED

FRONT SECTION INSTALLATION

1. **See Fig. 7.** Remove lower bolts that secure fairing lowers to engine guards, discard bolt and nut. OEM clamp will be re-used with new hardware.
2. **See Fig. 8.** Install supplied clamp (S001253) to engine guard between existing clamp and motorcycle frame.
3. **See Fig. 8.** Install front boards to inner clamps using the following hardware. Make sure rubber washer is between clamp and board. Leave hardware loose.
 - (2) 5/16" x 1-3/4" bolts– CB1176
 - (4) 5/16" Fender Washer– CW2112
 - (2) Rubber Washers– CW2095
 - (2) 5/16" Lock Nuts– CN3045
4. **See Fig. 8.** Secure fairing lower and outer clamp using the following hardware. Make sure plastic spacer is between clamp and board. Leave hardware loose.
 - (2) 5/16" x 2-1/2" bolts– CB1192
 - (4) 5/16" Fender Washer– CW2112
 - (2) Plastic Spacers– S001638
 - (2) 5/16" Lock Nuts– CN3045
5. **See Fig. 9.** Install hardware to secure front and rear boards together using the following hardware. Align gaps between front and rear boards and tighten hardware.
 - (4) 1/4" x 1" Bolts– CB1086
 - (4) 1/4" Flat Washers (top)- CW2006
 - (4) 6.4mm Fender Washers (bottom)- CW2107
 - (4) 1/4" Lock Nuts– CN3040
6. Tighten hardware that secures front boards to engine guards.
7. Tighten front support bracket hardware.

Fig. 7

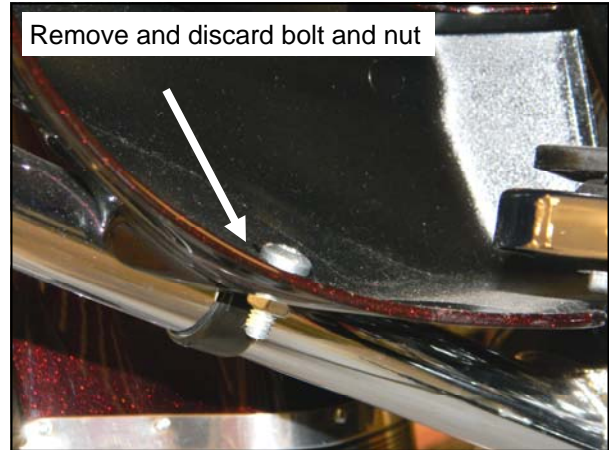


Fig. 8

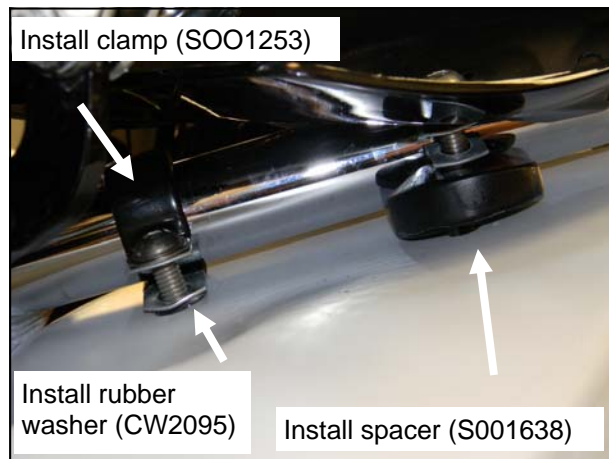
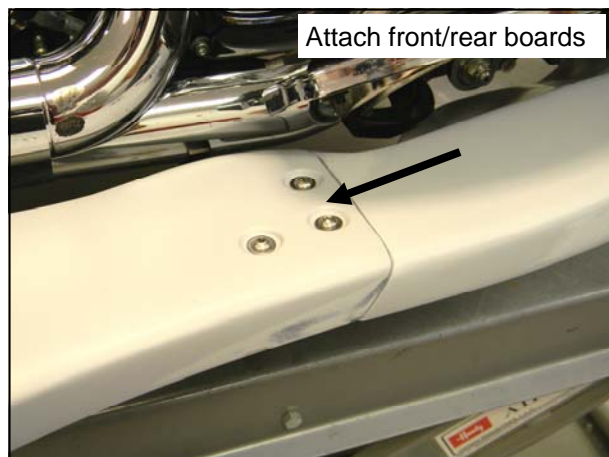


Fig. 9



INSTALLATION CONTINUED

REAR SUPPORT INSTALLATION

1. **See Fig. 10.** Install (4) jam nuts (CN3044) to rear leveling mounts (S001553) on top side of rear support bar. Jam nuts may be used on lower side of bar if necessary.
2. **See Fig. 10.** Install leveling mounts into rear support bar and thread all the way in.
3. **See Fig. 11.** Attach rear support bar (S001631) to underside of transmission skid plate while aligning support plate. Tighten hardware.
 - (1) Rear Support Bar– S001631
 - (1) Rear Support Plate– S001554
 - (2) 1/4" x 1-1/4" Bolts– CB1090
 - (2) 1/4" Lock Washers– CW2040
4. Adjust leveling mounts to contact board and tighten jam nuts.

RUBBER MAT INSTALLATION

1. Remove residue from back side of rubber mats with solvent (alcohol or acetone).
2. Apply adhesive (CA3100) to back side of rubber mats.
3. **See Fig. 12.** Position mats as shown. Front sections of mats will sit 2" ahead of seam. Ensure that hardware will be covered before setting into place.
4. Apply weight to mat while adhesive dries (10-15 minutes). Cure times will vary with temperature and humidity.

SEALING INNER BOARD AND FENDER SEAMS

1. **See Fig. 13.** Using an automotive, high heat, oil resistant silicone (Permatex Ultra Black or equivalent), apply silicone to LH/RH inner board and fender seams.
Reinstall rear wheels. Torque lug nuts to **90-100 ft. lbs.**
CAUTION: With the new EFX added to your Tri-Glide™, the fender opening has been reduced. Use caution when removing and installing wheels as damage to paint or fiberglass can occur. Tire can be deflated if necessary for ease of removal.

Fig. 10

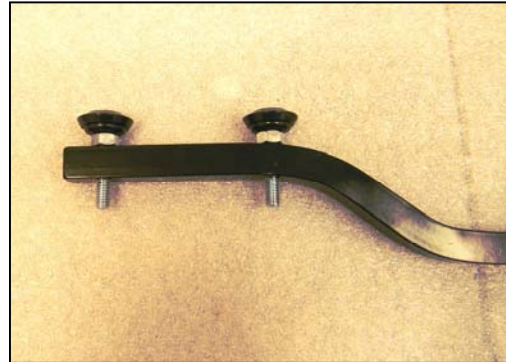


Fig. 11

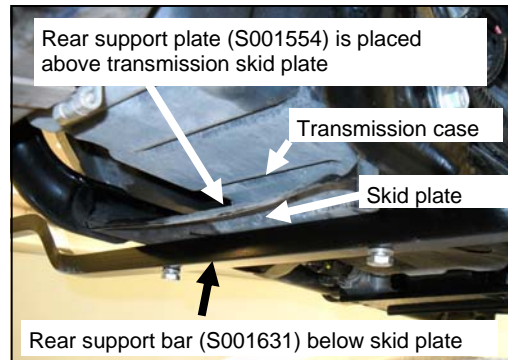


Fig. 12



Fig. 13

